

Royal Exclusiv pumps & skimmers

Klaus Jansen // Richard-Byrd-Str. 7 // 50829 Cologne // Germany

Fon +49(0)221/222886 0 // Fax +49(0)221/22288622

info@royal-exclusiv.de // www.royal-exclusiv.de



Since 1986



Data sheet and list of spare parts for Bubble King® Double Cone 150
For all Bubble King® Double Cone protein skimmer 150

vs14

ENG



Data sheet for protein skimmer Bubble King® Double Cone 150

Protein skimmer Bubble King® Double Cone 150

Product no.: 507 **649,95 €**

for aquariums up to 350 ltr.

Skimmer-series Bubble King® Double Cone for aquarium-grounds. For internal installation in filter-systems. Suitable for particularly gentle, effective, and dry skimming.

Technical data Bubble King® Double Cone 150:

625 ltr./h Air - 800 ltr./h Water = 1 pump Mini Red Dragon 600

with Ozon - plug

Baseplate: 19,5 cm x 24,5 cm / height ~ 50 cm

Skimmer-pump: Mini Red Dragon 600

Delivery rate: 625 l/h Air inlet ~ 800 l/h Water inlet

Wattage - active power: P = 18 Watt/h

Operating voltage: 230 Volt 50 Hz (also in 110V/60Hz available)

Protection class: IP 68

Water level: ~ 150 mm up to ~ 200 mm

Weight skimmer: 5 kg inclusiv pump



Dimension skimmer without pump:

195 mm wide / 245 mm length / ~ 500 mm height

Dimension skimmer with pump (90 ° to torque tube):

220 mm wide / 320 mm length / ~ 500 mm height

Dimension skimmer with pump (compared with torque tube):

220 mm wide / 390 mm length / ~ 500 mm height

Height silicon outlet (cleanout) ~ 320mm



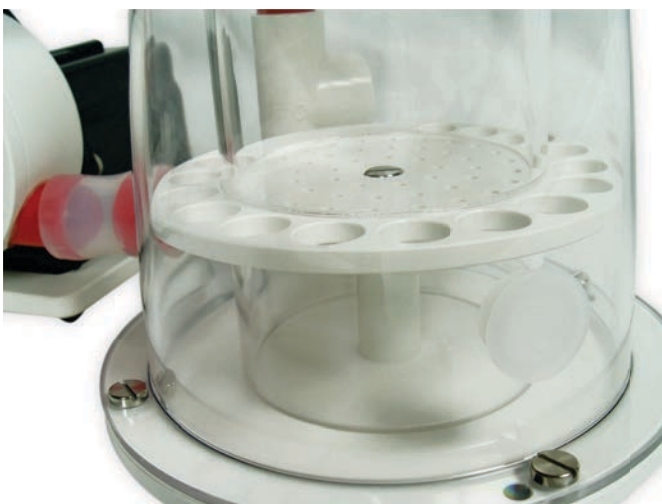
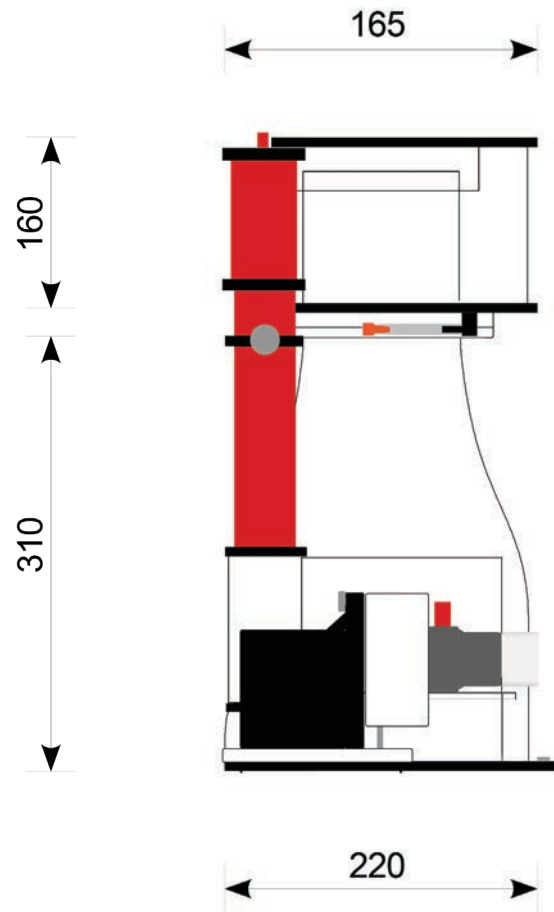
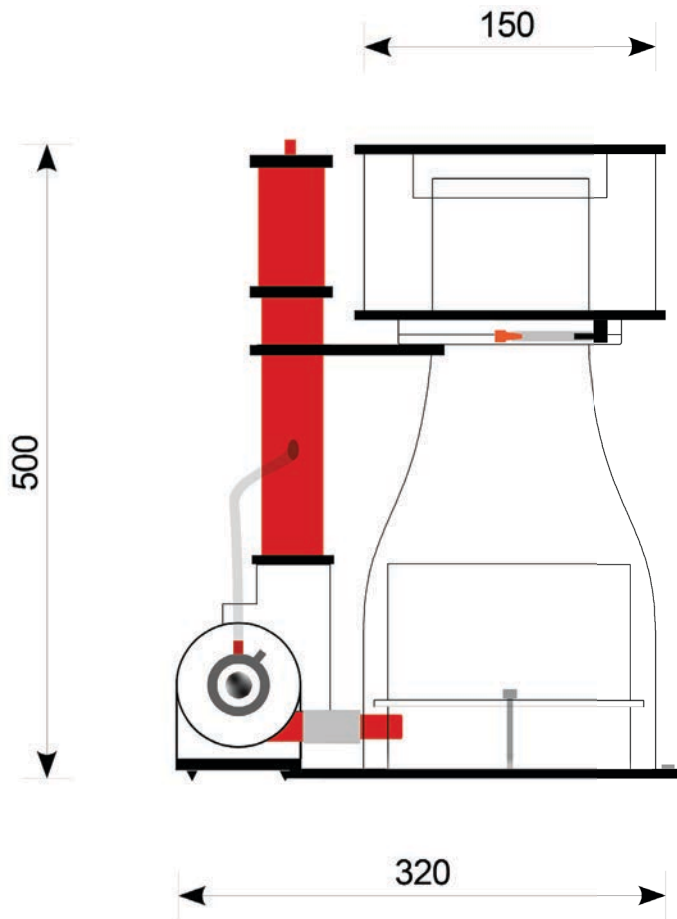
For more information, please visit www.royal-exclusiv.de. Simply enter the part number or name into the search box or email: info@royal-exclusiv.de.

All information subject to change. We try our best, but printing errors reserved.



Protein skimmer Bubble King® Double Cone 150

Product no.: 507



For more information, please visit www.royal-exclusiv.de. Simply enter the part number or name into the search box or email: info@royal-exclusiv.de.

All information subject to change. We try our best, but printing errors reserved.



Protein skimmer Bubble King® Double Cone 150 **Product no.: 507**

<i>list of spare parts</i>	<i>product no. (110V)</i>	<i>(230V)</i>	<i>Price</i>
resonator single PVC Ø diameter 50mm/nute 40mm	290/DC/150	290/DC/150	25,73 €
silikon-outlet (cleanout)	298	298	23,52 €
lid complete	309	309	65,10 €
cup with connection incl. silicon outlet (cleanout)	379	379	207,90 €
silicon O-ring 60 x 2,5mm for stand pipe	172	172	3,99 €
silicon O-ring 90 x 2,5mm for cup screw connection	338	338	5,41 €
silicon air-hose 9x3mm 400mm length	185-5	185-5	9,68 €
ozon tube 8x1 red 275mm	308-1	308-1	7,56 €
torque tube Ø 32mm PVC red / 300mm length	409	409	21,53 €
T-piece short Ø 32mm / 32 / 32	304	304	13,55 €
injection-ring acrylic-glass Ø 100mm / 55mm	414	414	22,58 €
hole plate PVC 140/67 with acrylic glass-ring 100mm	423	423	50,40 €
skimmer-body with connection/tube holder	375	375	299,25 €
titan screw 6 x 16mm for injection pan	183-10	183-10	4,10 €
titan screw 6 x 10mm for baseplate	183-9	183-9	3,78 €
plastic screw 6 x 16mm locking screw for torque tube	181-2	181-2	1,84 €
rubber feets 4 pieces	180	180	4,20 €
silicon hose 9x3mm (price for one meter)	185	185	19,43 €
baseplate PVC white 245 / 195mm	396/150	396/150	96,60 €
skimmer-pump MRD 600 complete	122/600/1	122/600/2	480,90 €
motor block MRD 600 with base plate	140/1	140/2	193,20 €
pump head PVC 100 / 42 / 25	246	246	142,80 €
rotor complete with metal-shaft	122/1-1	122/2-1	176,40 €
carbon-bearing with O-ring 1 pieces	155	155	6,83 €
titan srew for pump head 3 pieces	183-3	183-3	12,60 €
nozzle base part with ozon-connection	269	269	17,12 €
nozzle 12mm	271/150	271/150	20,00 €
silicon - hose Ø 22 / 45mm	300	300	6,31 €
cover cap clear PVC for pump plug Ø23,4mm	299	299	1,57 €
PVC pipe conection Ø 25mm red / 55mm length	424	424	6,09 €
perbunan O-ring 65 x 4mm for pump head/motorblock	171	171	4,20 €

For the list of spare parts for Red Dragon® 3 skimmer pump see separate document.
Downloadable on our website under Red Dragon® 3 skimmer pump.

<i>accessories</i>	<i>product no. (110V)</i>	<i>(230V)</i>	<i>Price</i>
add on resonator Ø 63mm	999	999	32,60 €
PVC pipe clip Ø 63mm for wall and ceiling mounting	930-63	930-63	6,83 €
resonator - inlay	294-2	294-2	5,15 €
silicon grease tube 6g	030/6	030/6	2,63 €
silicon grease tube 25g	030/25	030/25	7,88 €

For more information, please visit www.royal-exclusiv.de. Simply enter the part number or name into the search box or email: info@royal-exclusiv.de.

All information subject to change. We try our best, but printing errors reserved.



Protein skimmer Bubble King® Double Cone 150

Product no.: 507

Please replace the **x** with the appropriate number for the voltage of 110/230 Volt.

<i>spare part</i>	<i>spare part</i>	<i>spare part</i>	<i>spare part</i>
			
resonator single PVC diameter Ø 50mm/nute 30mm 290/DC/150 25,73 €	silicon-outlet (cleanout) 298 23,52 €	lid complete 309 65,10 €	cup with connection incl. silicon outlet (cleanout) 379 207,90 €
<i>spare part</i>	<i>spare part</i>	<i>spare part</i>	<i>spare part</i>
			
silicon O-ring 80 x 2,5mm for stand pipe 172 3,99 €	silicon O-ring 90 x 2,5mm for cup screw connection 338 5,41 €	silicon air-hose 9x3mm 400mm long 185-5 9,68 €	ozon-hose 8x1mm 275mm long 308-1 7,56 €
<i>spare part</i>	<i>spare part</i>	<i>spare part</i>	<i>spare part</i>
			
torque tube Ø 32mm PVC red 409 21,53 €	T-piece short Ø 32mm 304 13,55 €	injection-ring acrylic-glass Ø 100mm / 55mm 414 22,58 €	hole plate PVC 140/67 with acrylic glass-ring 100mm 423 50,40 €
<i>spare part</i>	<i>spare part</i>	<i>spare part</i>	<i>spare part</i>
			
skimmer-body with connection/tube holder 375 299,25 €	titan screw 6 x 16mm for injection pan 183-10 4,10 €	titan screw 6 x 10mm for baseplate 183-9 3,78 €	plastic screw 6 x 16mm locking screw for torque tube 181-2 1,84 €

For more information, please visit www.royal-exclusiv.de. Simply enter the part number or name into the search box or email: info@royal-exclusiv.de.

All information subject to change. We try our best, but printing errors reserved.



Protein skimmer Bubble King® Double Cone 150

Product no.: 507

Please replace the **x** with the appropriate number for the voltage of 110/230 Volt.

spare part	spare part	spare part	spare part
			
rubber feets 4 pieces 180 4,20 €	silicon hose 9x3mm (price for one meter) 185 19,43 €	Base plate PVC white 245 / 195mm 396/150 96,60 €	skimmer-pump MRD 600 complete 122/600/x 480,90 €
spare part	spare part	spare part	spare part
			
motor block MRD 600 with base plate 140/x 193,20 €	pump head PVC 100 / 42 / 25 246 142,80 €	rotor complete with metal-shaft 122/x-1 176,40 €	carbon-bearing with O-ring 1 pieces 155 6,83 €
spare part	spare part	spare part	spare part
			
titan srew for pump head 3 pieces 183-3 12,60 €	nozzle base part with ozon-connection 269 17,12 €	nozzle 12mm 271/150 20,00 €	silicon - hose Ø 22 / 45mm 300 6,31 €
spare part	spare part	spare part	
			
cover cap red PVC for torque tube Ø40mm 299 1,57 €	PVC pipe conection Ø 25mm 421 6,09 €	perbunan O-ring 65 x 4mm for pump head/motorblock 171 4,20 €	

For more information, please visit www.royal-exclusiv.de. Simply enter the part number or name into the search box or email: info@royal-exclusiv.de.

All information subject to change. We try our best, but printing errors reserved.



Protein skimmer Bubble King® Double Cone 150

Product no.: 507

Please replace the **x** with the appropriate number for the voltage of 110/230 Volt.

accessories



add on resonator
Ø 63mm
999

32,60 €

accessories



PVC pipe clip Ø 63mm for
wall and ceiling mounting
930-63

6,83 €

accessories



resonator - inlay
294-2

5,15 €

accessories



silicon grease tube 6g
030-6

2,63 €

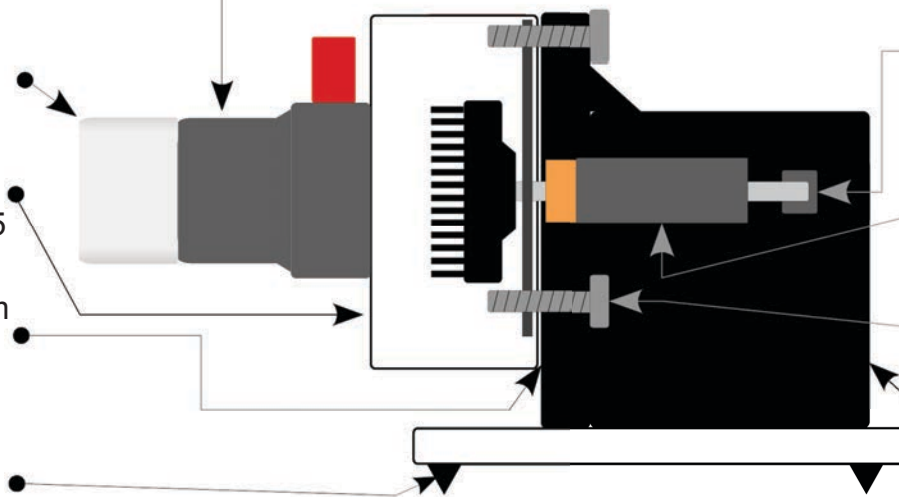
nozzle base
part with ozon-
connection
269

nozzle 12mm
271/150

pump head
PVC 100/42/25
246

O-ring 65x4mm
for pump head
171

rubber feet
4 pieces
180



carbon bearing
155

rotor complete
with metal-shaft
122/x-1

titan screw for
pump-head 3pcs.
183-3

motor block MRD
600 with baseplate
140/x

For more information, please visit www.royal-exclusiv.de. Simply enter the part number or name into the search box or email: info@royal-exclusiv.de.

All information subject to change. We try our best, but printing errors reserved.



Protein skimmer Bubble King® Double Cone 150

Product no.: 507

Please replace the **x** with the appropriate number for the voltage of 110/230 Volt.

lid complete 150
309

resonator single
PVC Ø50mm
290/DC/150

resonator - inlay
294-2

silicon hose 9x3mm
400mm long
185-5

T-piece short
Ø 32mm / 32 / 32
304

silicon - hose
Ø 22 / 45mm
300

cup with connection
incl. silicon outlet
(cleanout)
379

plastic screw
6x16mm
for torque tube
181-2

torque tube
Ø 32mm PVC red
409

baseplate PVC
white 245/195mm
396/150

silicon O-ring
80 x 2,5mm
for stand pipe
172

silikon-outlet
(cleanout)
298

silicon O-ring
90 x 2,5mm for cup
screw connection
338

titan screw
6x16mm for
injection pan
183-10

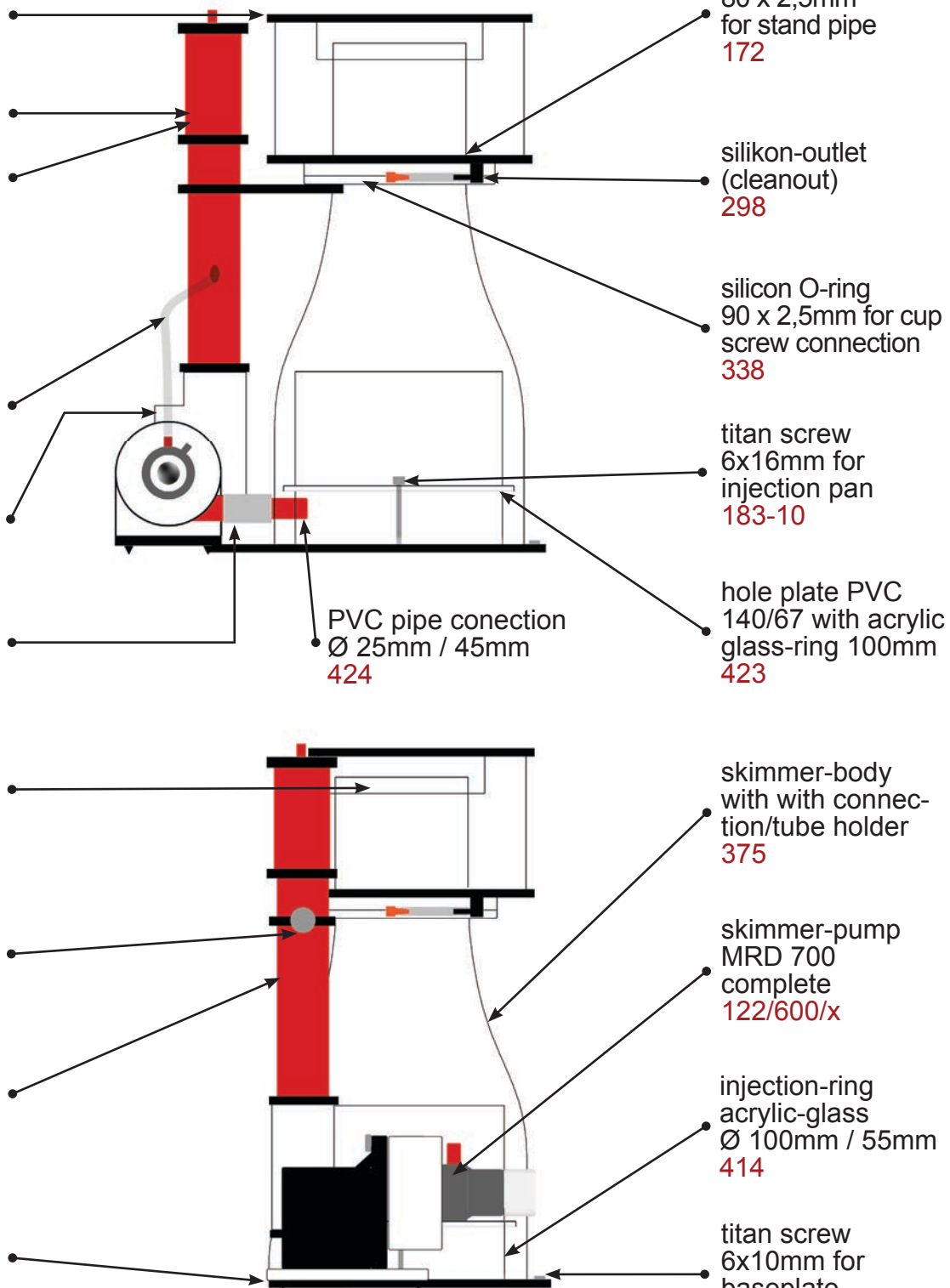
hole plate PVC
140/67 with acrylic
glass-ring 100mm
423

skimmer-body
with with connec-
tion/tube holder
375

skimmer-pump
MRD 700
complete
122/600/x

injection-ring
acrylic-glass
Ø 100mm / 55mm
414

titan screw
6x10mm for
baseplate
183-9



For more information, please visit www.royal-exclusiv.de. Simply enter the part number or name into the search box or email: info@royal-exclusiv.de.

All information subject to change. We try our best, but printing errors reserved.