

*Royal Exclusiv pumps & skimmers*

Klaus Jansen // Richard-Byrd-Str.7 // 50829 Cologne // Germany

Fon +49(0)221/222886 0 // Fax +49(0)221/22288622

info@royal-exclusiv.de // www.royal-exclusiv.de



*Since 1986*



**Data sheet and list of spare parts for Bubble King® Double Cone 130**  
For all Bubble King® Double Cone protein skimmer 130

vs15

**ENG**



## Data sheet for protein skimmer Bubble King® Double Cone 130

### Protein skimmer Bubble King® Double Cone 130

Product no.: 505 **595,00 €**

for aquariums up to 300 ltr.

*Skimmer-series Bubble King® Double Cone for aquarium-grounds. For internal installation in filter-systems. Suitable for particularly gentle, effective, and dry skimming.*

#### Technical data Bubble King® Double Cone 130:

400 ltr./h Air - 600 ltr./h Water = 1 pump Mini Red Dragon 300 with Ozon - plug

Baseplate: 16 cm x 22 cm / height ~ 46 cm

Skimmer-pump: Mini Red Dragon 300

Delivery rate: 200-400 l/h Air inlet ~ 300-600 l/h Water inlet

Wattage - active power: P = 16 Watt/h

Operating voltage: 230 Volt 50 Hz (also in 110V/60Hz available)

Protection class: IP 68

Water level: ~ 150 mm up to ~ 200 mm

Weight skimmer: 5 kg inclusiv pump



Dimension skimmer without pump:

160 mm wide / 220 mm length / ~ 455 mm height

Dimension skimmer with pump (90 ° to torque tube):

230 mm wide / 300 mm length / ~ 455 mm height

Dimension skimmer with pump (compared with torque tube):

230 mm wide / 340 mm length / ~ 455 mm height

Height silicon outlet (cleanout) ~ 300mm



For more information, please visit [www.royal-exclusiv.de](http://www.royal-exclusiv.de). Simply enter the part number or name into the search box or email: [info@royal-exclusiv.de](mailto:info@royal-exclusiv.de).

All information subject to change. We try our best, but printing errors reserved.

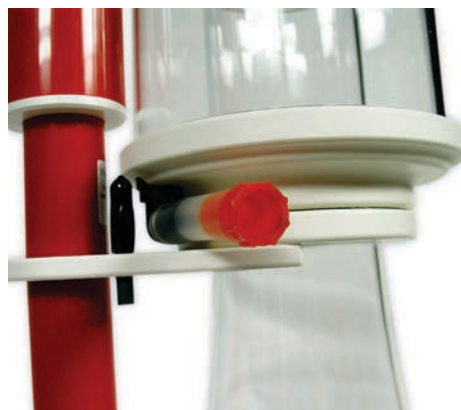
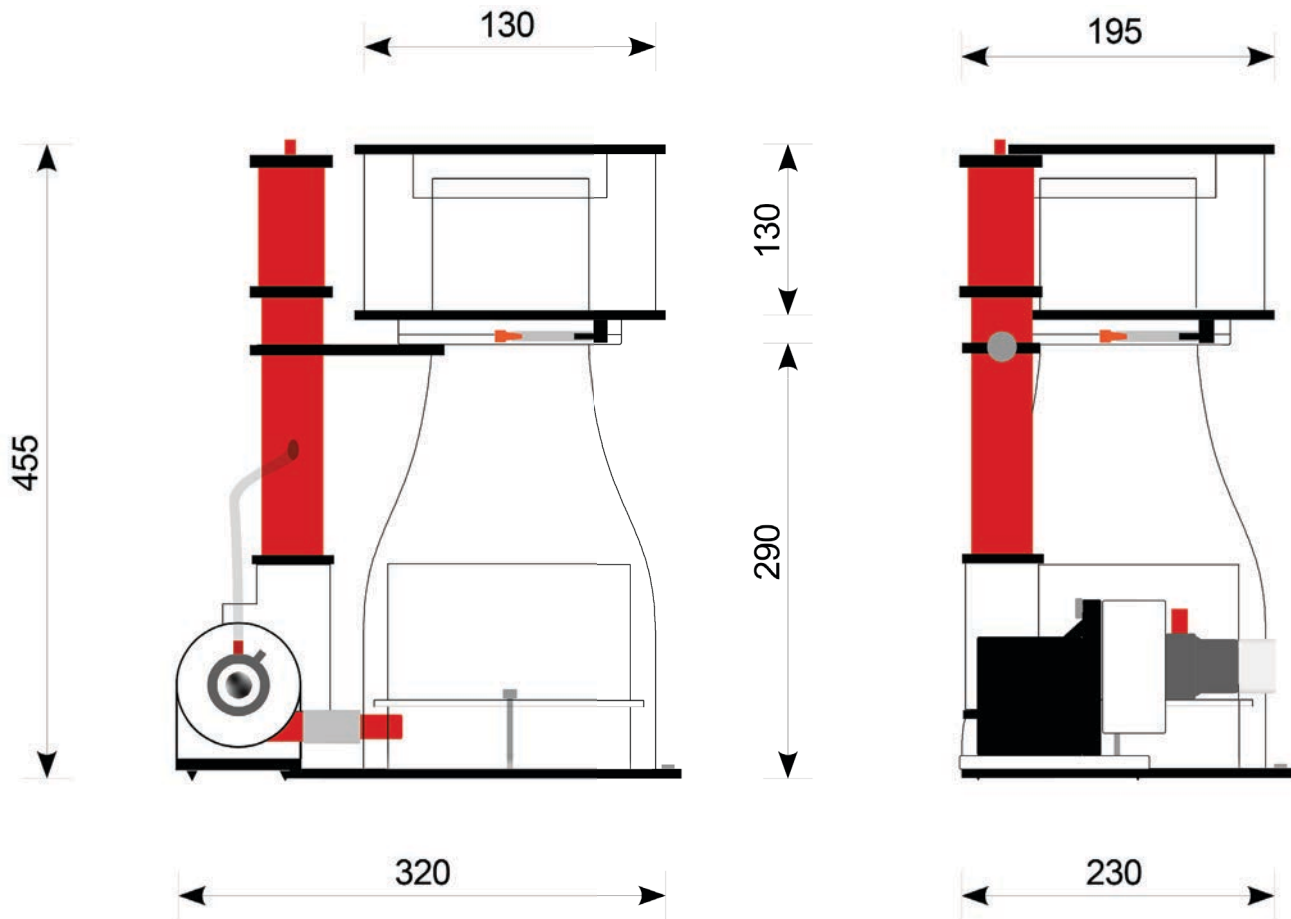


Since 1986



## Protein skimmer Bubble King® Double Cone 130

Product no.: 505



For more information, please visit [www.royal-exclusiv.de](http://www.royal-exclusiv.de). Simply enter the part number or name into the search box or email: [info@royal-exclusiv.de](mailto:info@royal-exclusiv.de).

All information subject to change. We try our best, but printing errors reserved.



**Protein skimmer Bubble King® Double Cone 130** **Product no.: 505**

| <i>list of spare parts</i>                           | <i>product no. (110V)</i> | <i>(230V)</i> | <i>Price</i> |
|--|---------------------------|---------------|--------------|
| resonator single PVC Ø diameter 50mm/nute 30mm       | 290/DC/150                | 290/DC/150    | 25,73 €      |
| silikon-outlet (cleanout)                            | 298                       | 298           | 23,52 €      |
| lid complete   | 309/130                   | 309/130       | 57,00 €      |
| cup with connection incl. silicon outlet (cleanout)  | 378                       | 378           | 197,00 €     |
| silicon O-ring 60 x 2,5mm for stand pipe             | 172                       | 172           | 3,99 €       |
| silicon O-ring 70 x 2,5mm for cup screw connection   | 172/70                    | 172/70        | 4,15 €       |
| silicon air-hose 9x3mm 400mm length                  | 185-5                     | 185-5         | 9,68 €       |
| ozon tube 8x1 red 275mm                              | 308-1                     | 308-1         | 7,56 €       |
| torque tube Ø 32mm PVC red / 275mm length            | 408                       | 408           | 19,95 €      |
| T-piece short Ø 32mm / 32 / 32                       | 304                       | 304           | 13,55 €      |
| injection-ring acrylic-glass Ø 80mm / 61mm           | 413                       | 413           | 21,95 €      |
| hole plate PVC 120/67 with acrylic glass-ring 80mm   | 423/130                   | 423/130       | 48,00 €      |
| skimmer-body with connection/tube holder             | 376                       | 376           | 285,00 €     |
| titan screw 6 x 10mm for baseplate                   | 183-9                     | 183-9         | 3,78 €       |
| plastic screw 6 x 16mm locking screw for torque tube | 181-2                     | 181-2         | 1,84 €       |
| rubber feets 4 pieces                                | 180                       | 180           | 4,20 €       |
| silicon hose 9x3mm (price for one meter)             | 185                       | 185           | 19,43 €      |
| baseplate PVC white 220 / 160mm with rubber feets    | 396/130                   | 396/130       | 93,50 €      |
| skimmer-pump MRD 300 complete                        | 122/300/1                 | 122/300/2     | 465,00 €     |
| motor block MRD 300 with base plate                  | 140/1                     | 140/2         | 193,20 €     |
| pump head PVC 100 / 42 / 25                          | 246                       | 246           | 142,80 €     |
| rotor complete with metal-shaft                      | 122/1/300                 | 122/2/300     | 173,20 €     |
| carbon-bearing with O-ring 1 pieces                  | 155                       | 155           | 6,83 €       |
| titan srew for pump head 3 pieces                    | 183-3                     | 183-3         | 12,60 €      |
| nozzle base part with ozon-connection                | 269                       | 269           | 17,12 €      |
| nozzle 12mm  | 271/150                   | 271/150       | 20,00 €      |
| silicon - hose Ø 22 / 45mm                           | 300                       | 300           | 6,31 €       |
| cover cap clear PVC for pump plug Ø23,4mm            | 299                       | 299           | 1,57 €       |
| PVC pipe conection Ø 25mm red / 55mm length          | 424                       | 424           | 6,09 €       |
| perbunan O-ring 65 x 4mm for pump head/motorblock    | 171                       | 171           | 4,20 €       |

| <i>accessories</i>                                 | <i>product no. (110V)</i> | <i>(230V)</i> | <i>Price</i> |
|--|---------------------------|---------------|--------------|
| add on resonator Ø 63mm                            | 999                       | 999           | 33,60 €      |
| PVC pipe clip Ø 63mm for wall and ceiling mounting | 930-63                    | 930-63        | 6,83 €       |
| resonator - inlay for add on resonator Ø 63mm      | 294-1                     | 294-1         | 6,20 €       |
| resonator - inlay for skimmer Ø 50mm               | 294-2                     | 294-2         | 5,15 €       |
| silicon grease tube 6g                             | 030/6                     | 030/6         | 2,63 €       |
| silicon grease tube 25g                            | 030/25                    | 030/25        | 7,88 €       |

For more information, please visit [www.royal-exclusiv.de](http://www.royal-exclusiv.de). Simply enter the part number or name into the search box or email: [info@royal-exclusiv.de](mailto:info@royal-exclusiv.de).

All information subject to change. We try our best, but printing errors reserved.

## Protein skimmer Bubble King® Double Cone 130

Product no.: 505

Please replace the **x** with the appropriate number for the voltage of 110/230 Volt.

|   |   |  |   |
|---|---|--|---|
| <i>spare part</i>   | <i>spare part</i>   | <i>spare part</i>  | <i>spare part</i>   |
|    |    |    |    |
| resonator single PVC diameter Ø 50mm/nute 30mm<br><b>290/DC/150</b> 25,73 €         | silicon-outlet (cleanout)<br><b>298</b> 23,52 €                                     | lid complete<br><b>309/130</b> 57,00 €   | cup with connection incl. silicon outlet (cleanout)<br><b>378</b> 197,00 €            |
| <i>spare part</i>   | <i>spare part</i>   | <i>spare part</i>  | <i>spare part</i>   |
|   |   |    |   |
| silicon O-ring 60 x 2,5mm for stand pipe<br><b>172</b> 3,99 €                       | silicon O-ring 70 x 2,5mm for cup screw connection<br><b>172/70</b> 4,15 €          | silicon air-hose 9x3mm 400mm long<br><b>185-5</b> 9,68 €                             | ozon-hose 8x1mm 275mm long<br><b>308-1</b> 7,56 €                                     |
| <i>spare part</i>   | <i>spare part</i>   | <i>spare part</i>  | <i>spare part</i>   |
|  |  |  |  |
| torque tube Ø 32mm PVC red 275mm length<br><b>408</b> 19,95 €                       | T-piece short Ø 32mm<br><b>304</b> 13,55 €  | injection-ring acrylic-glass Ø 80mm / 61mm<br><b>413</b> 21,95 €                     | hole plate PVC 120/67 with acrylic glass-ring 80mm<br><b>423/130</b> 48,00 €          |
| <i>spare part</i>   | <i>spare part</i>   | <i>spare part</i>  | <i>spare part</i>   |
|  |  |  |  |
| skimmer-body with connection/tube holder<br><b>376</b> 285,00 €                     | titan screw 6 x 10mm for baseplate<br><b>183-9</b> 3,78 €                           | plastic screw 6 x 16mm locking screw for torque tube<br><b>181-2</b> 1,84 €          | rubber feet 4 pieces<br><b>180</b> 4,20 €   |

For more information, please visit [www.royal-exclusiv.de](http://www.royal-exclusiv.de). Simply enter the part number or name into the search box or email: [info@royal-exclusiv.de](mailto:info@royal-exclusiv.de).










All information subject to change. We try our best, but printing errors reserved.



## Protein skimmer Bubble King® Double Cone 130

Product no.: 505

Please replace the **x** with the appropriate number for the voltage of 110/230 Volt.

|   |   |  |   |
|---|---|--|---|
| spare part  | spare part  | spare part   | spare part  |
|    |    |    |    |
| silicon hose 9x3mm<br>(price for one meter)<br><b>185</b> 19,43 €                   | Base plate PVC white<br>220 / 160mm<br><b>396/130</b> 93,50 €                       | skimmer-pump<br>MRD 300 complete<br><b>122/300/x</b> 465,00 €                        | motor block MRD 300 with<br>base plate<br><b>140/x</b> 193,20 €                       |
| spare part  | spare part  | spare part   | spare part  |
|   |   |  |   |
| pump head<br>PVC 100 / 42 / 25<br><b>246</b> 142,80 €                               | rotor complete<br>with metal-shaft<br><b>122/x-300</b> 173,20 €                     | carbon-bearing with O-ring<br>1 pieces<br><b>155</b> 6,83 €                          | titan srew<br>for pump head 3 pieces<br><b>183-3</b> 12,60 €                          |
| spare part  | spare part  | spare part   | spare part  |
|  |  |  |  |
| nozzle base part<br>with ozon-connection<br><b>269</b> 17,12 €                      | nozzle 12mm<br><b>271/150</b> 20,00 €   | silicon - hose Ø 22 / 45mm<br><b>300</b> 6,31 €                                      | cover cap transp. PVC for<br>second pump Ø23,4mm<br><b>299</b> 1,57 €                 |
| spare part  | spare part  |  |   |
|  |  |  |   |
| PVC pipe conection<br>Ø 25mm<br><b>424</b> 6,09 €                                   | perbunan O-ring 65 x 4mm<br>for pump head/motorblock<br><b>171</b> 4,20 €           |  |   |

For more information, please visit [www.royal-exclusiv.de](http://www.royal-exclusiv.de). Simply enter the part number or name into the search box or email: [info@royal-exclusiv.de](mailto:info@royal-exclusiv.de).

All information subject to change. We try our best, but printing errors reserved.



## Protein skimmer Bubble King® Double Cone 130

Product no.: 505

Please replace the **x** with the appropriate number for the voltage of 110/230 Volt.

accessories



add on resonator  
Ø 63mm  
999

33,60 €

accessories



PVC pipe clip Ø 63mm for  
wall and ceiling mounting  
930-63

6,83 €

accessories



resonator - inlay  
294-2

5,15 €

accessories



silicon grease tube 6g  
030-6

2,63 €

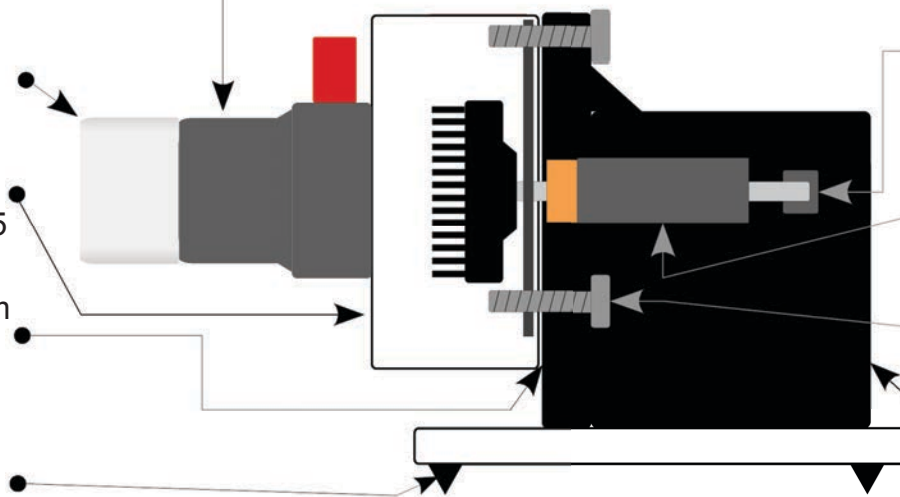
nozzle base  
part with ozon-  
connection  
269

nozzle 12mm  
271/150

pump head  
PVC 100/42/25  
246

O-ring 65x4mm  
for pump head  
171

rubber feet  
4 pieces  
180



carbon bearing  
155

rotor complete  
with metal-shaft  
122/x/300

titan screw for  
pump-head 3pcs.  
183-3

motor block  
MRD 300 with  
baseplate  
140/x



## Protein skimmer Bubble King® Double Cone 130

Product no.: 505

Please replace the **x** with the appropriate number for the voltage of 110/230 Volt.

lid complete 130  
309/130

resonator single  
PVC Ø50mm  
290/DC/150

resonator - inlay  
294-2

silicon hose 9x3mm  
400mm long  
185-5

T-piece short  
Ø 32mm / 32 / 32  
304

silicon - hose  
Ø 22 / 45mm  
300

cup with connection  
incl. silicon outlet  
(cleanout)  
378

plastic screw  
6x16mm  
for torque tube  
181-2

torque tube  
Ø 32mm PVC red  
408

baseplate PVC  
white 220/160mm  
396/130

silicon O-ring  
60 x 2,5mm  
for stand pipe  
172

silikon-outlet  
(cleanout)  
298

silicon O-ring  
70 x 2,5mm for cup  
screw connection  
172/70

titan screw  
6x10mm for  
baseplate  
183-9

hole plate PVC  
120/67 with acrylic  
glass-ring 80mm  
423/130

skimmer-body  
with with connec-  
tion/tube holder  
376

skimmer-pump  
MRD 300  
complete  
122/300/x

injection-ring  
acrylic-glass  
Ø 80mm / 61mm  
413

titan screw  
6x10mm for  
baseplate  
183-9

